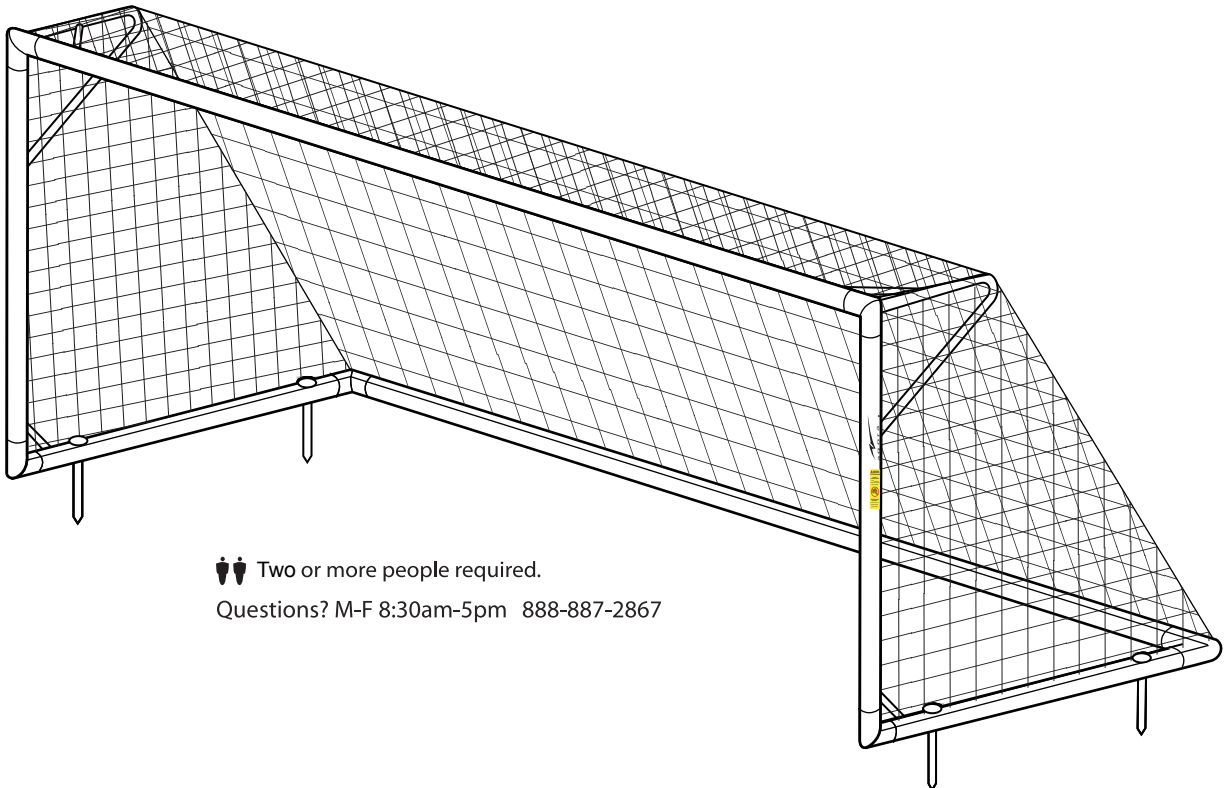




GOAL SAFETY INSTRUCTIONS

IMPORTANT! PLEASE READ BEFORE GOAL ASSEMBLY

- Read all instructions before beginning assembly.
- 2 or more adults may be required to assist in assembly.
- Unpack and inspect all parts / hardware for quality and structural integrity. Contact Customer Support if any item is damaged or missing.
- All Safety and Warning labels must be visible.
- Securely anchor or counterweight movable goals at ALL times.
- Prevent tip-over injuries by NEVER leaving goal unattended or unsecured. Goal should be anchored, chained to another goal or to an adjacent fence post of high structural integrity, or stored away from child access.
- Educate players, coaches, maintenance personnel and other individuals using / interacting with the goal on the proper usage, safety measures, and potential hazards of movable soccer goals.
- Instruct players, coaches, and other members NEVER to climb goal net or frame.
- Goal should only be moved by proper number of trained adults with extreme caution.
- Goal should NEVER be used on unlevelled playing fields.
- Net should be removed when goal is not in use.
- Disassemble goal during off-season or prolonged disuse.



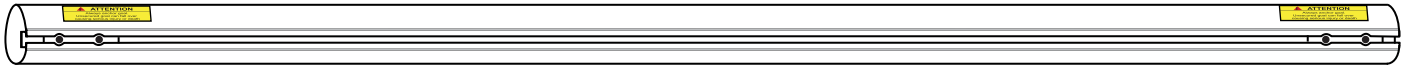
Two or more people required.

Questions? M-F 8:30am-5pm 888-887-2867

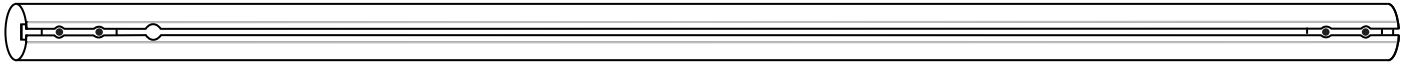
PARTS, HARDWARE, & TOOLS

Important! All directional descriptions (i.e. Left, Right) are based on the front of the goal facing you. Hardware may be housed in one or more separate boxes. Please open all boxes / packaging before assembly.

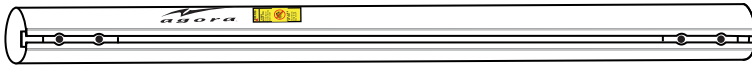
(Images not to scale)



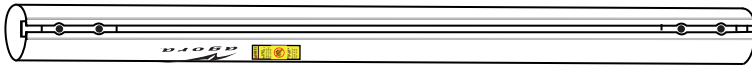
A - Top Crossbar (1) *Contains Warning Label*



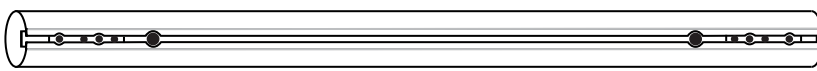
B - Bottom Crossbar (1) *Contains no labels*



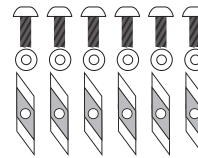
C - Left Post (1) *With channel system facing back, AGORA logo on left*



D - Right Post (1) *With channel system facing back, AGORA logo on right*



E - Base (2) *Contains no labels. Has 5 holes on each end.*



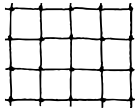
S - Backdrop Lock Bracket (6)
Backdrop Lock, Bracket, Bolt, and Washer comes pre-installed on Backdrop Arm (DD) and Backdrop Shoulder (CC)



DD - Backdrop Arm (2)
Includes pre-installed bolt and angled bracket



F - Post Brace (2)



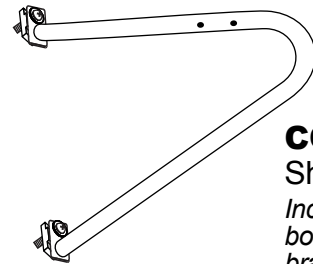
G - Net (1)



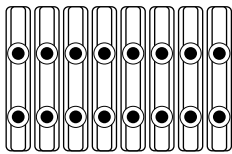
H - Net Clips (1 Set)



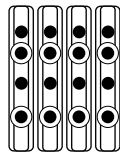
I - 14" Steel Anchor Nails (4)



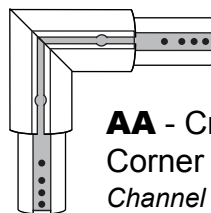
CC - Backdrop Shoulder (2)
Includes pre-installed bolts and angled brackets



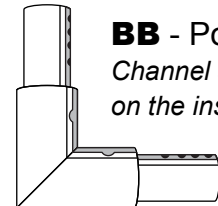
Q - Crossbars/Posts Brackets (8)
2 holes, attaches to parts A, B, C, and D



R - Base Bracket (4)
4 holes, attaches to Bases E



AA - Crossbar Corner (4)
Channel system is lined on the outside of the 'L'



BB - Post Corner (2)
Channel system is lined on the inside of the 'L'

HARDWARE & TOOLS

NOTE: Hardware may be housed in one or more separate boxes. Please open all boxes / packaging before assembly.



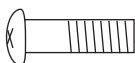
J - 2" Hex Bolt (4)
Semi thread



M - 3/8" Hex Nut (4)
Use with 2" Hex Bolt



O - 11/16" Wrench (1)



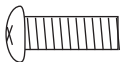
K - 1 1/2" Hex Bolt (4)
Semi thread



N - 3/4" Washer (28)

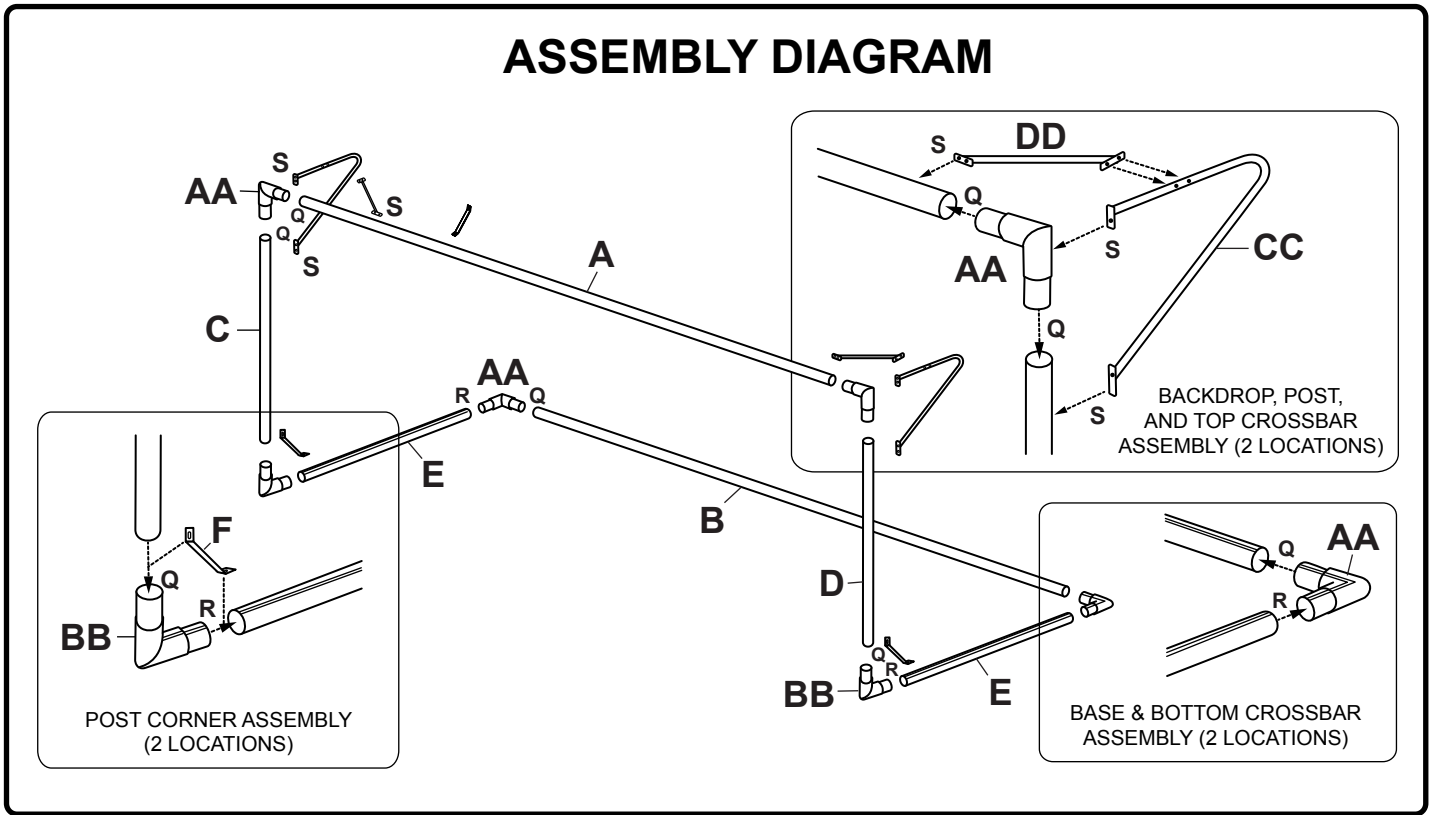


P - Allen Wrench (1)



L - 3/4" Hex Bolt (20)
Full thread

ASSEMBLY DIAGRAM



ASSEMBLY START

Connect Side Posts

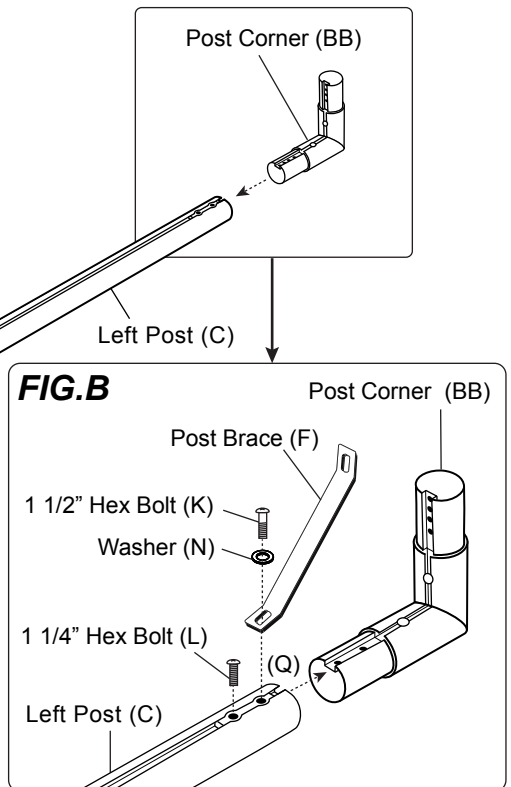
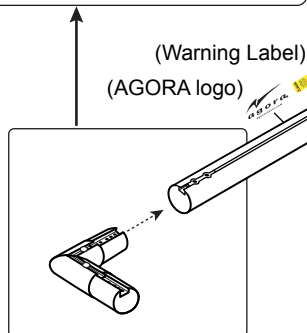
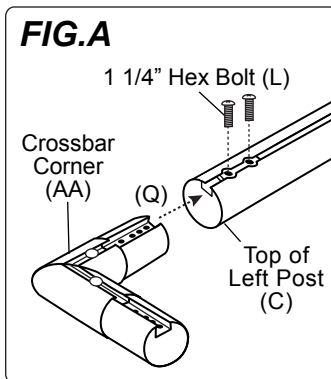
1. Connect Left Post (C) to Crossbar Corner (AA) following **FIG. A**.

Note: Crossbar/Posts Bracket (Q) may already be pre-inserted into the top of the Side Post OR Crossbar Corner. Please remove plastic ties before bolting.

2. Connect Left Post (C) to Post Corner (BB) following **FIG. B**.

Note: Crossbar/Posts Bracket (Q) may already be pre-inserted into the bottom of the Side Post OR Post Corner. Please remove plastic ties before bolting..

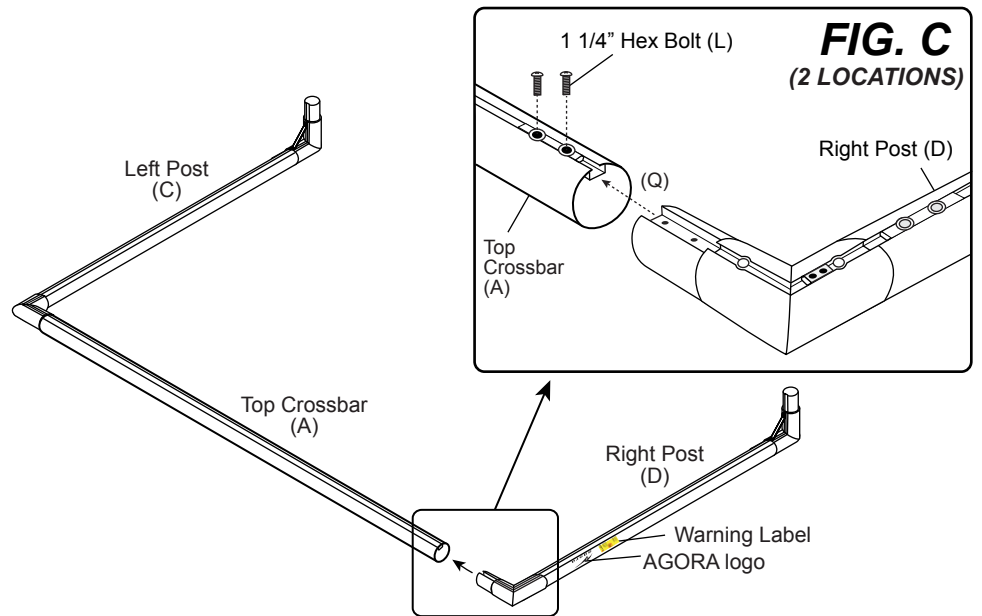
3. Perform steps #1 and #2 for Right Post (D).



Connect Goal Face

4. Connect Left and Right Assembled Posts to Top Crossbar (A) following **FIG. C**.

Note: Crossbar/Posts Bracket (Q) may already be pre-inserted into the Crossbar OR Crossbar Corner. Please remove plastic ties before bolting.



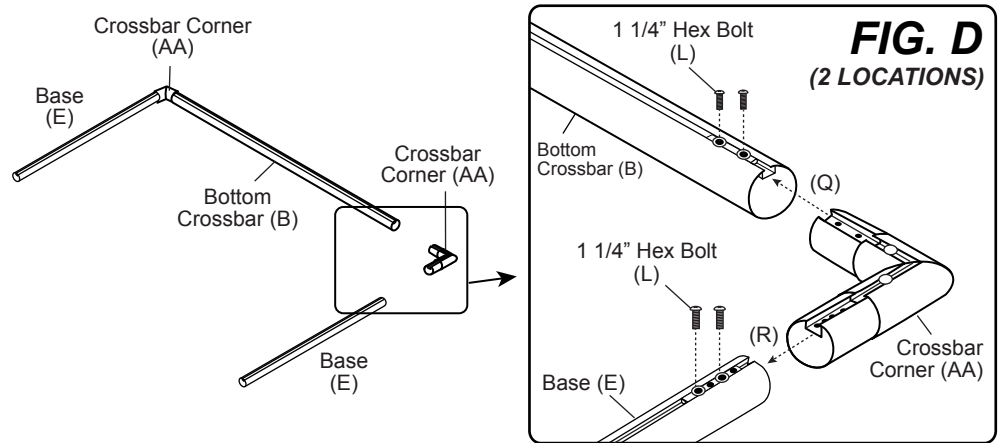
Connect Base

5. Connect Bottom Crossbar (B) to Crossbar Corners (AA) following **FIG. D**.

Note: Crossbar/Posts Bracket (Q) may already be pre-inserted into the Bottom Crossbar OR Crossbar Corner. Please remove plastic ties before bolting.

6. Connect Base (E) to Crossbar Corners (AA) following **FIG. D**.

Note: Base Bracket (R) may already be pre-inserted into the Base Bar. Please remove plastic ties before bolting.

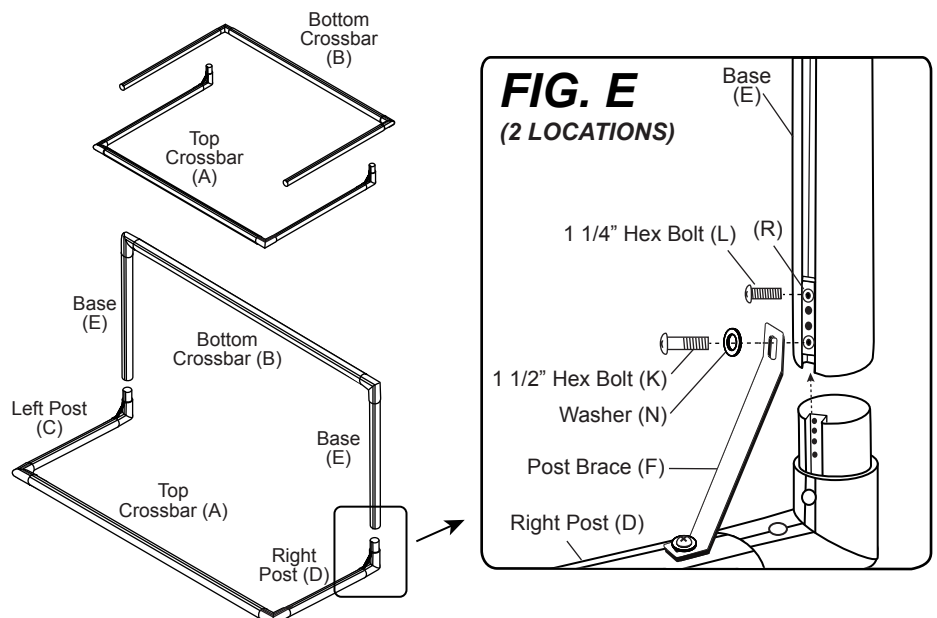


Connect Face to Base

7. Raise Bottom Crossbar/Base assembly and insert into Top Crossbar assembly following **FIG. E**. Ensure all connections are secure and firmly pushed prior to bolt assembly.

Note: Base Bracket (R) may already be pre-inserted into the Base Bar. Please remove plastic ties before bolting.

8. Tighten bolts on both left and right sides.

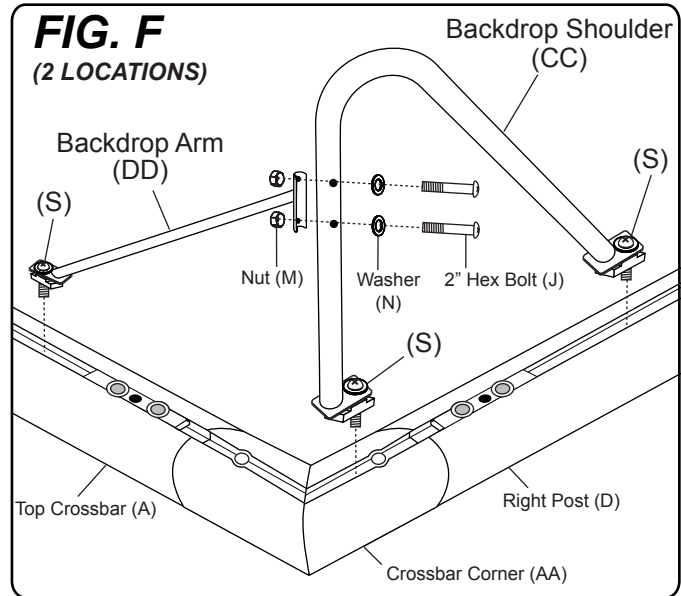
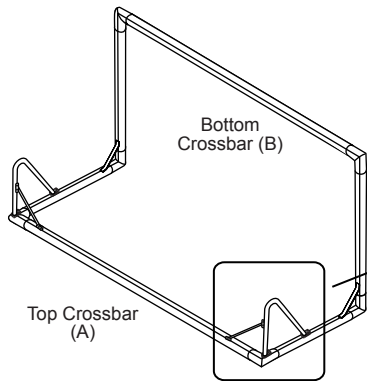




Connect Backdrop

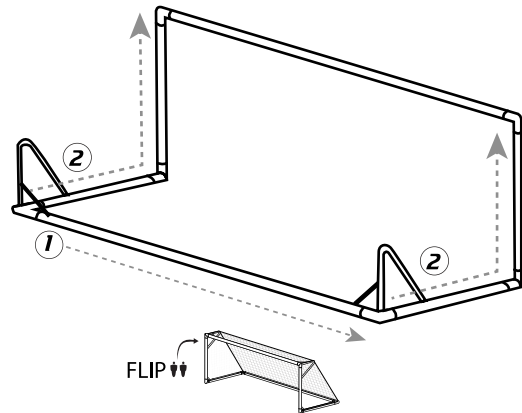
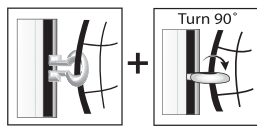
9. Connect Backdrop Shoulder (CC) and Backdrop Arm (DD) following **FIG. F**. Simply screw Backdrop Shoulder into channel system.

Note: Backdrop Lock Bracket (S) comes pre-installed on Backdrop Arm (DD) and Backdrop Shoulder (CC).



Attach Net

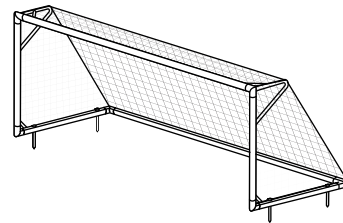
10. Attach top half of net using provided Net Clips (H). Fit net through Net Clip loop, insert net into channel system, and twist to lock. Next, carefully flip goal over (Bases should now sit on ground) and attach remaining bottom half of net to bottom of goal.



Anchor

11. Anchor goal using provided Steel Anchor Nails (I).*

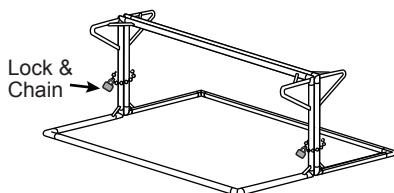
*Also compatible with other semi-permanent and permanent anchors (sold separately).



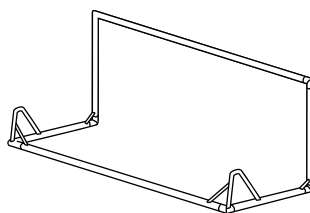
STORAGE

Goal tip-over can cause serious injury or even death. Most cases occur when goals are left unattended. Remove net and disassemble goal during off-season or prolonged disuse using one of the methods below.

1. Anchor or chain one goal to another



2. Fold goals face down



3. Chain Goals to a nearby fence or other sturdy structure

