



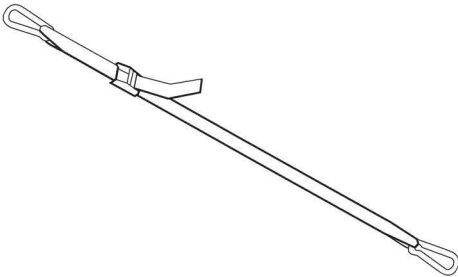
INSTALLATION INSTRUCTIONS

NET SUPPORT STRAP SA-GA200

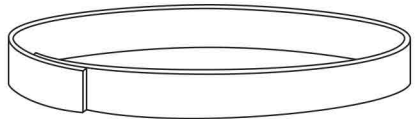
Before beginning installation, please read through this entire instructional guide. Then, unpack all parts to ensure completeness and inspect for any possible damage that may have occurred during transport.

This package includes the following:

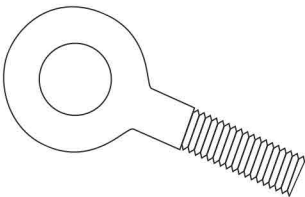
Adjustable Strap with Carabiner Clip (2)



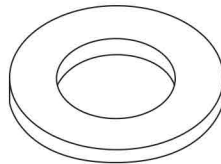
Universal Strap (4)



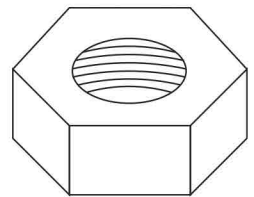
Eye Bolt (4)



Washer (8)



Nut (4)



CAUTION

Check goal for structural integrity and proper connecting hardware before installation of this product. All soccer goals and goal accessories should be safely used at all times. Soccer goals and goal accessories not in use should be disassembled and placed into storage or within a safe, secure area. Installed goal accessories should not be left unattended. Do not use this equipment during high winds or other high-threat weather conditions. This product should be inspected regularly for safety. Any modification to this or any AGORA product will void any and all warranties or return requests.

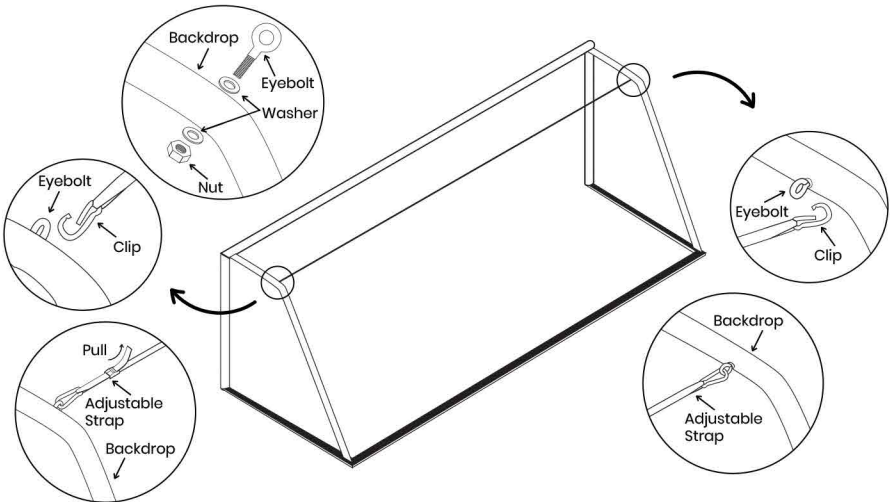
**IMPORTANT SAFETY INSTRUCTIONS**  **PLEASE READ CAREFULLY**

1. Check goal and equipment for structural integrity and proper connecting hardware before every use. Replace damaged or missing parts or fasteners immediately.
2. Securely anchor movable soccer goals at ALL times.
3. Safety/warning labels must be clearly visible at ALL times.
4. NEVER allow anyone to climb on the net or goal framework.
5. Always instruct players, coaches, maintenance workers, and all other personnel who might come in contact with the goal on the safe handling of and potential dangers associated with movable soccer goals.
6. Always exercise extreme caution when moving goals and provide adequate manpower to move goals of varied sizes and weights. Movable soccer goals should only be moved by authorized personnel.
7. Movable soccer goals should only be used on level fields and NEVER on a slope or hill.
8. Remove nets when goals are not in use.
9. Most tip-over injuries occur when goals are unattended. Anchor or chain one goal to another or to nearby fence posts, dugouts, or any other similar sturdy fixture when not in use. If this is not practical, store movable soccer goals in a place where children cannot have access to them.
10. Fully disassemble goals for seasonal storage.



INSTALLATION WITH EYE BOLT HARDWARE

1. Insert Eye Bolt through one corner of the top end of the backdrop in the following process:
Eye Bolt – Washer – Top End of Backdrop – Washer – Nut
2. Be sure the bolt's 'eye' faces the inside of the goal.
3. Gently tighten Eye Bolt with one hand while holding Nut in place with appropriate wrench.
IMPORTANT: Do not overtighten. Overtightening may damage the goal.
4. Repeat steps above on the opposite side of the goal.
5. Attach each end of the Adjustable Strap with Carabiner to each Eye Bolt as shown. Adjust and tighten the strap by disengaging the buckle found along one end of the strap, then pull the relief end of the strap. Once the desired tension is reached, re-engage the buckle.
IMPORTANT: Do not overtighten. Overtightening may damage the goal.



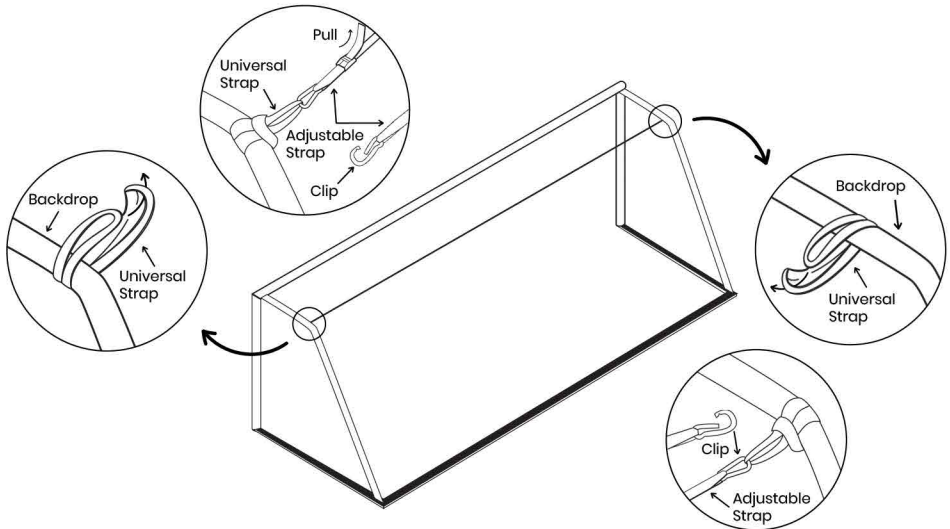
6. Tie all excess ends of the strap to itself to prevent hanging inside the goal area, which may be a potential danger to players and personnel.

CAUTION ⚠

Check goal for structural integrity and proper connecting hardware before installation of this product. All soccer goals and goal accessories should be safely used at all times. Soccer goals and goal accessories not in use should be disassembled and placed into storage or within a safe, secure area. Installed goal accessories should not be left unattended. Do not use this equipment during high winds or other high-threat weather conditions. This product should be inspected regularly for safety. Any modification to this or any AGORA product will void any and all warranties or return requests.

INSTALLATION WITH UNIVERSAL STRAPS (NO EYE BOLT)

1. Loop and wrap the Universal Strap along each top end of the backdrop as shown in the diagram below. **IMPORTANT: Do not overtighten. Overtightening may damage the goal.**
2. Attach each end of the Adjustable Strap with Carabiner to each Universal Strap as shown. Adjust and tighten the Adjustable Strap by disengaging the buckle found along one end of the strap, then pull the relief end of the strap. Once the desired tension is reached, re-engage the buckle. **IMPORTANT: Do not overtighten. Overtightening may damage the goal.**



3. Tie all excess ends of the strap to itself to prevent hanging inside the goal area, which may be a potential danger to players and personnel.

Trimming Adjustable Strap (optional)

After pulling adjustable strap tight, the excess strap (hanging from the buckle system) can be trimmed to the preferred length for different goal sizes. Leave 12"-18" of excess strap for ease of removal and re-installation. After trimming, the end of the trimmed area can be melted to prevent fraying.

CAUTION 

Check goal for structural integrity and proper connecting hardware before installation of this product. All soccer goals and goal accessories should be safely used at all times. Soccer goals and goal accessories not in use should be disassembled and placed into storage or within a safe, secure area. Installed goal accessories should not be left unattended. Do not use this equipment during high winds or other high-threat weather conditions. This product should be inspected regularly for safety. Any modification to this or any AGORA product will void any and all warranties or return requests.