

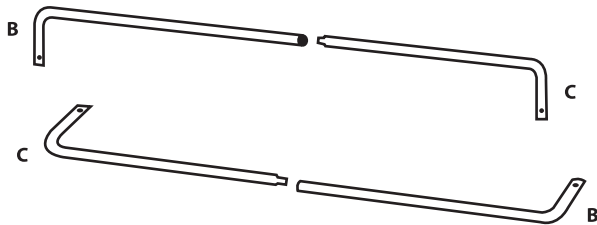
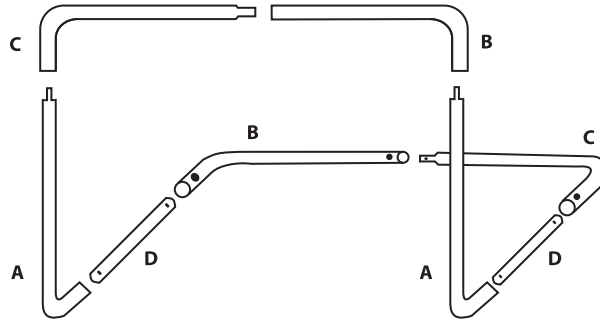


SMALL-SIDED SOCCER GOALS

SA-G51005, SA-G4603, and SA-G3502

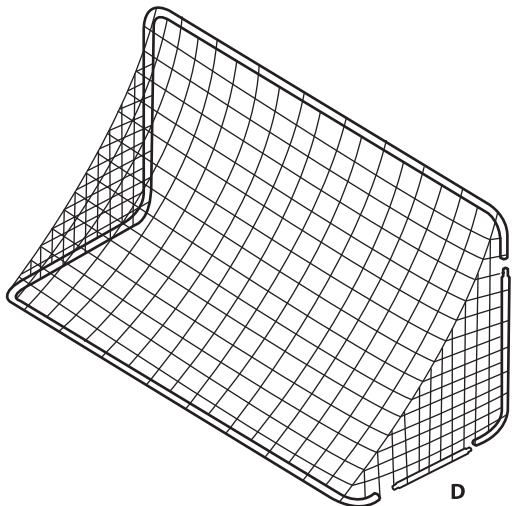
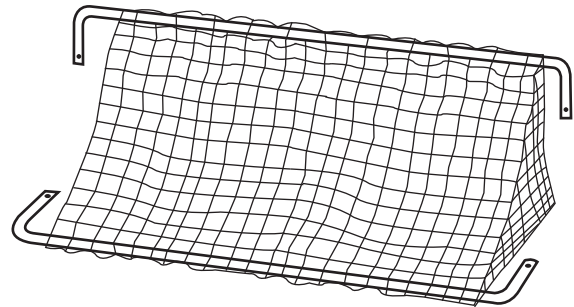
Parts List:

- A. Side Posts (2)
- B. Corners (2)
- C. Corners with Snap Button (2)
- D. Base Bars (2)
- E. Ground Anchors (4)
- F. Net (1)



1. Assemble parts **B** and **C** to form Top & Bottom Crossbar.
NOTE: Top Crossbar contains Warning label.

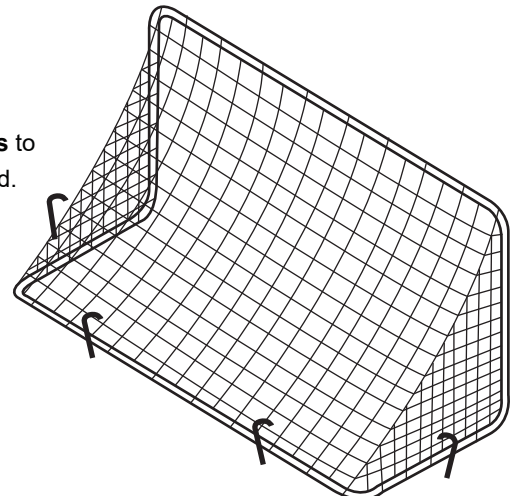
2. Weave **Top Crossbar** through net marked "Top" in an over-under pattern. Follow by weaving **Bottom Crossbar** through bottom of net.



3. Weave one **Side Post (A)** through the left side of the net, then repeat on the right with the other **Side Post (A)**, and attach top-end of **Side Posts** to **Top Crossbar**.

4. Weave one **Base Bar (D)** through the left side of the net base, then repeat on the right with the other **Base Bar (D)**. Attach **Base Bar** to bottom of **Side Post** and **Bottom Crossbar**.

5. Use **Ground Anchors** to secure goal onto the field.



CONSUMER PRODUCT SAFETY ALERT

Goals can tip over and cause injury when not properly anchored!

SAFETY SUGGESTIONS / GUIDELINES: Securely anchor goals at all times. Never climb on the net or goal framework. Disassemble and safely store goals when not in use. Inspect hardware and nets before every use. Replace damage or missing parts immediately. Do not leave assembled goal unattended. Instruct players on the safe handling of and potential danger associated with the goal.